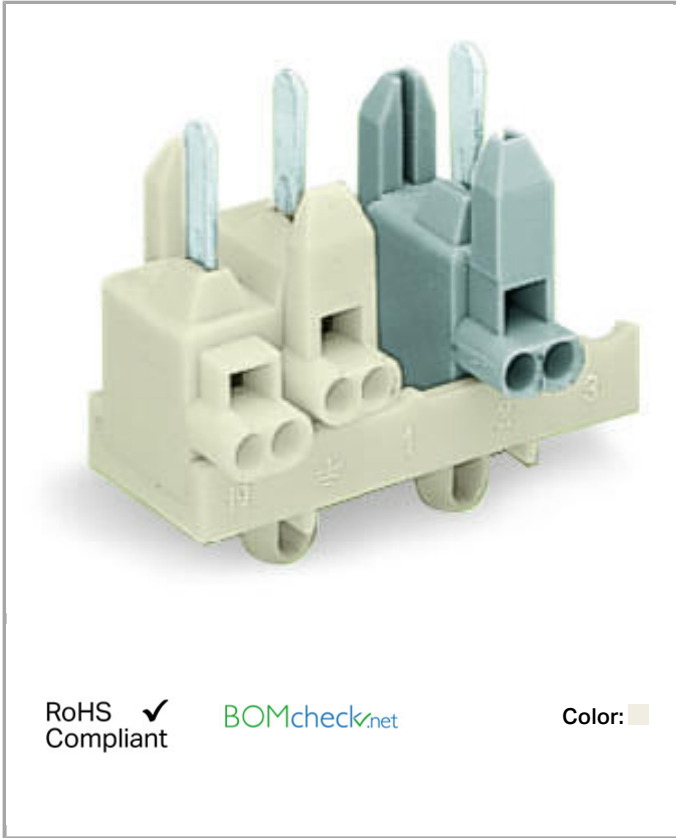


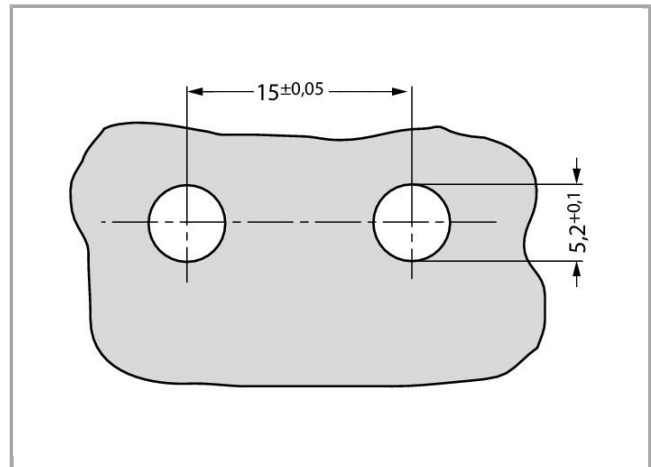
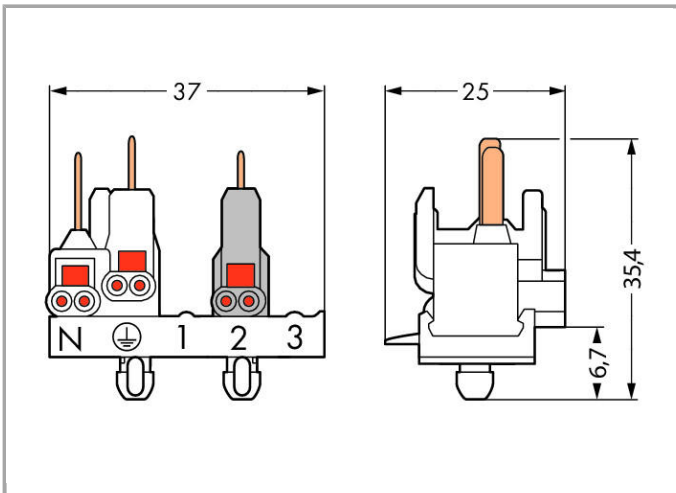
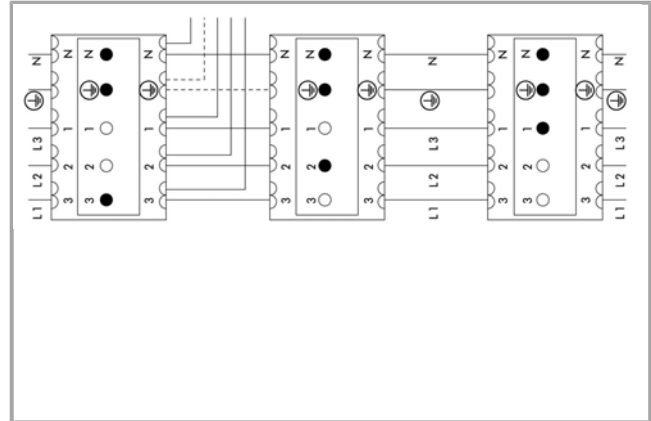
277-125



RoHS Compliant

[BOMcheck.net](https://www.bomcheck.net)

Color:



Item description

- Flexible connection system with PUSH WIRE® connection

- Phase selection

Data

Electrical data

Ratings per IEC/EN 60664-1

Rated voltage (III / 2)	400 V
Rated impulse voltage (III / 2)	4 kV
Rated current	10 A

Connection data

Connection technology	PUSH WIRE®
Strip length	10 11 mm / 0.39 0.43 inch
Number of connection types	1
No. of poles	5

Geometrical Data

Width	25 mm / 0.984 inch
Height	35.4 mm / 1.394 inch
Depth	37 mm / 1.457 inch

Material Data

Color	white
Material group	I
Insulating material	Polyamide 66 (PA 66)
Flammability class per UL94	V0
Clamping spring material	Chrome nickel spring steel (CrNi)
Contact material	Electrolytic copper (E _{Cu})
Contact plating	tin-plated
Fire load	0.201 MJ
Weight	12.88 g

Environmental Requirements

Temperature stability	105 °C
-----------------------	--------

Commercial data


Country of origin	DE
GTIN	4044918507417

Customs Tariff No.


8536901000

Approvals / Certificates


Radio-Approvals

Logo	Approval	Additional Approval Text	Certificate name
	CSA DEKRA Certification B.V.	C22.2	70048855



Country specific Approvals

Logo	Approval	Additional Approval Text	Certificate name
	CSA DEKRA Certification B.V.	C22.2	70048855

Other Approvals

Logo	Approval	Additional Approval Text	Certificate name
	UR Underwriters Laboratories Inc.	UL 1059	E45172

UL-Approvals

Logo	Approval	Additional Approval Text	Certificate name
	UL Underwriters Laboratories Inc.	UL 1977	E45171- 20040225
	UR Underwriters Laboratories Inc.	UL 1059	20190731- E45172

Downloads

Documentation

Additional Information

Technical explanations	Apr 3, 2019	pdf 3.6 MB	Download
------------------------	-------------	---------------	----------



CAD/CAE - Smart Data

EPLAN

EPLAN Data Portal

[Download](#)

WSCAD

WSCAD Universe

[Download](#)

Subject to changes.
